

TLIGHT MULTI PURPOSED LED MODULES & RETROFITS

Description:

Light multi-purpose LED Retrofits (MPLR) are designed to provide the lighting industry with a revolutionary solution to upgrade to the latest LED technology. With our patented designs, most of the existing ceiling fixtures, pendants, wall fixtures and portable lamps are easy to adapt with our LED Retrofit without rewiring and re-screwing. Fixtures can be turned into LED fixtures just as easy as changing light bulb.

With our MPLRs, the lighting factories are not longer needed to assemble the lighting fixtures to be complete lighting fixtures, in fact, all fixtures can just be an empty housing, then install a MPLR, to become a complete lighting fixture, as soon as the MPLR can be fitting into the housing, the fixture are ETL listed and Energy Star qualified.

This is not just saving the production time and cost, but also allowing the distributors the flexibility to stock less quantity of products. Furthermore, it is also allowed the end users the flexibility to select the suitable light that they wanted.

Features:

Multiple mounting system provided, with unique patented designs, allowing users to plug & play. No competent electrician is required for installation.

As easy as installing a light bulb.

Multiple wattages available: 8W/10W/11W/12W/13W/15W/16W/19W/24W/30W/36W/42W/50W.

Dimmable and compatible with most major brand dimmers on the market.

Suitable for all types of Industrial and residential fixtures.

Emergency battery packs are available for converting MPLRs to emergency lights
5 years warranty.

Control & Dimming:

120V or 240V AC 50/60 Hz

TESTED WITH THE FOLLOWING DIMMERS

Leviton: IPI10, DVCL153P-WH, CT-600P-BL,
MACL153M, CPL06-10Z,

Lutron: 6674-P, VPM10-iL, 6672-L, 6681, CTCL-153PD,
S-600P, CF1000P, CTELV-303P, LGCL-153PL,
VP1-6-iL, PD-6WCL, VPM10, MACL153M

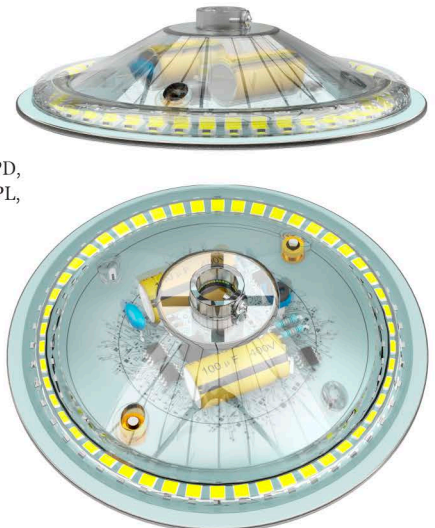
Cooper: DLC03P

Legrand: 341107-01/15

Patent No.: US 10,563,822 B2

www.tLight.ccinfo@ht.cc

2021.2V1

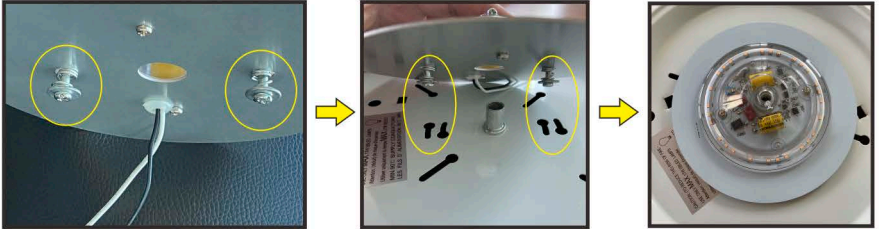


UNIQUE FEATURES

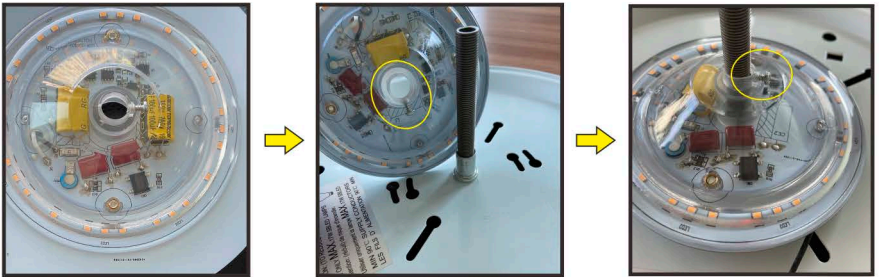
1) Patented mounting systems:

Plug & Play without wiring and screwing for all types of fixtures:

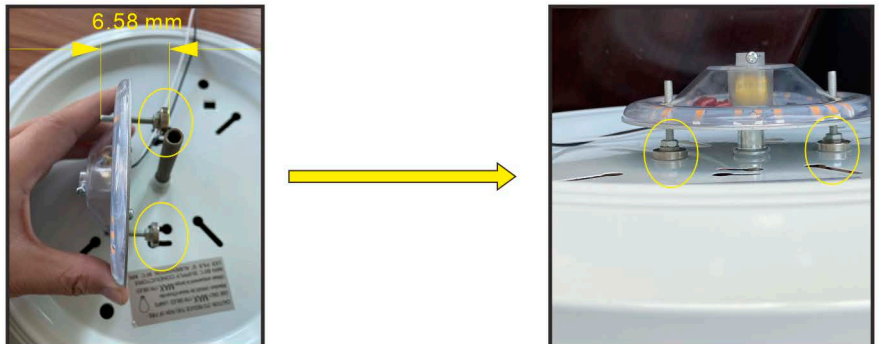
Spring screws (SS): each MPLR is built a set of Spring Screws, which can be directly Plug into standard US 3.5"(88.9mm) key holes on fixtures, it is just twist and lock.



Central Pole fixing screw (PS): each MPLR has a $\phi 10\text{mm}$ central hole with a fixing screw. It can be directly fixed to central pole (9.8mm).

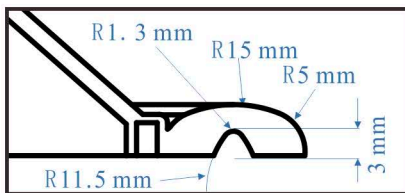
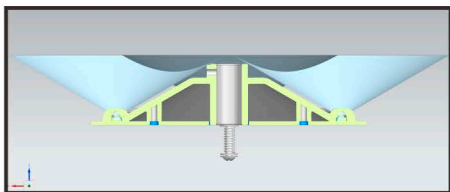


Adjustable magnetic screws (MS): each MPLR comes optional 2 or 4 magnetic screws. Height of the MPLR can be adjusted according to the need by turning the magnetic screws, then attach fixtures.

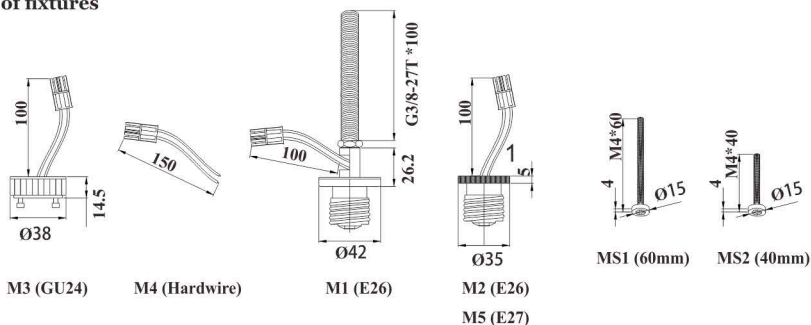


2) Advance Optical lens

Unique design optical lens, distribute large and average light to diffuser even with a very short distance. (ideal distance 2.5" from the bottom to the diffuser)

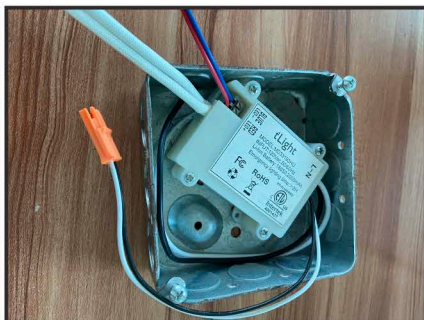


3) Full range connection kits available, Plug & Play Retrofit solutions for most types of fixtures



4) Optional Emergency Battery packs: converting the MPLRs with emergency light features

Plug & Play Emergency Battery packs, 2 optional Emergency Battery packs available, Which can be directly connected to full range of MPLRs and converting to emergency lights Output for 250 lumens 3 hours, or 250 lumens 6 hours.



Emergency Battery Pack to be allocated into J-Box (3.5/4") then connect to MPLR via connectors, testing switch/indicating light (optional) to be allocated inside fixtures.

5) Fully ranges of wattages:

8W/10W/11W/12W/13W/15W/16W/19W/24W/30W/36W/42W/50W
Energy Star version and CEC/JA8 version are available



8W/10W/12W/



16W



19W



24W



30W/36W



42W/50W



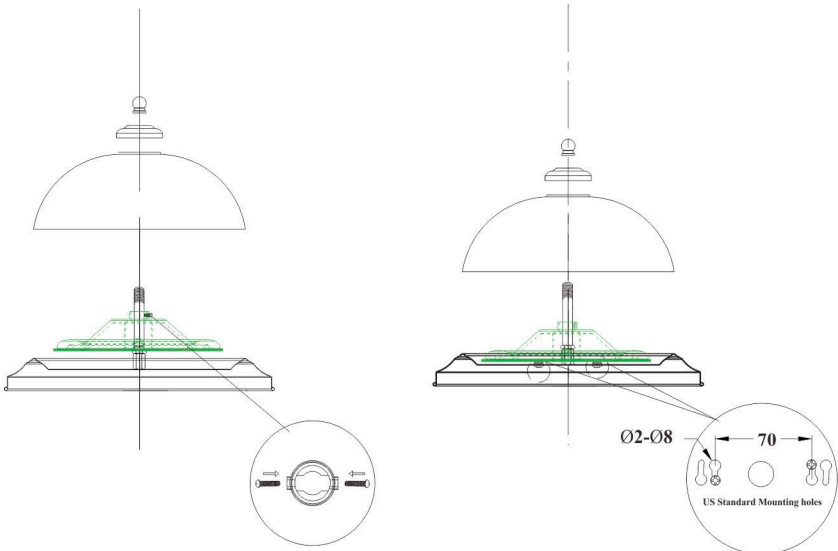
11W/13W/15W/

6) Solutions for all types of fixtures:

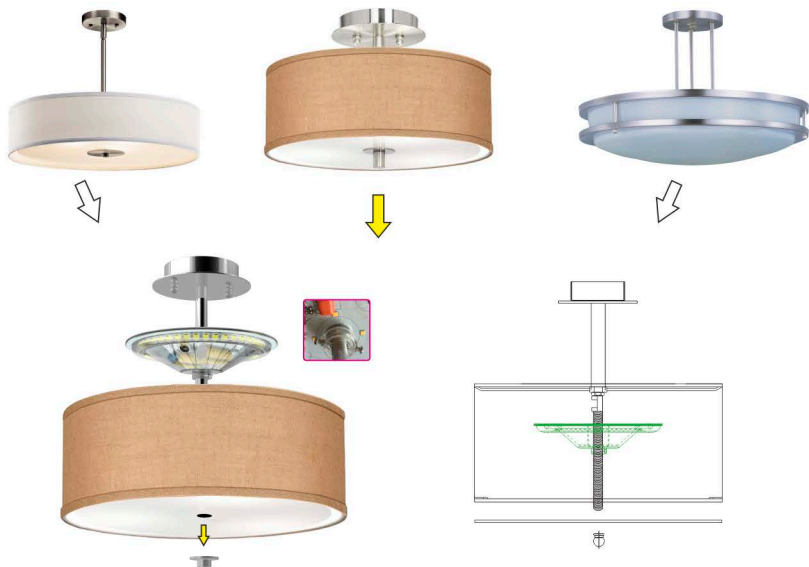


All types of flush mounts:

They can be glass difguser, fabric difuser, plastic Difuser. Size can be from 05" to 32",
The MPLRs 3 types of mounting systems, either one can be Plug & Play fitting to the fixtures.
As far as the MPLRs can be fitted into the fixtures, it meets the UL Safety
Standard Regulations . (MPLRs are tested to meet the minimum spacing requirements
and will not be overheated)



Pendant applications:



Ceiling fan applications:



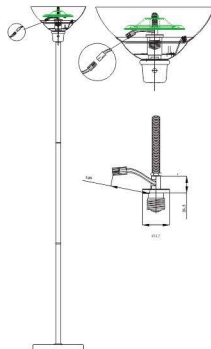
Wall fixture applications:



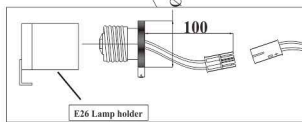
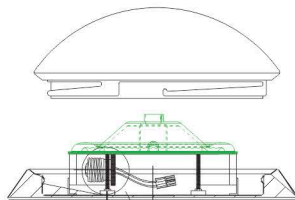
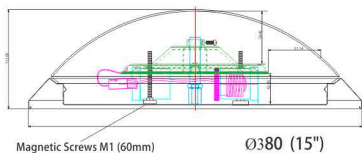
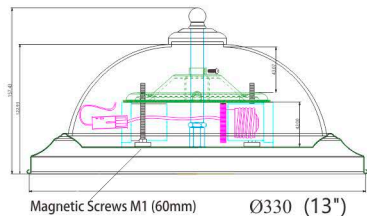
Outdoor fixture applications:



Portable lamp applications:



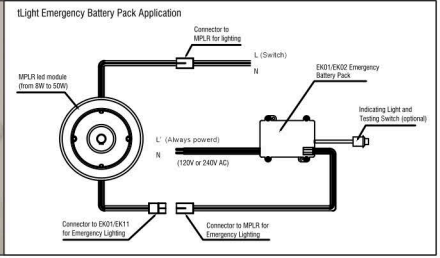
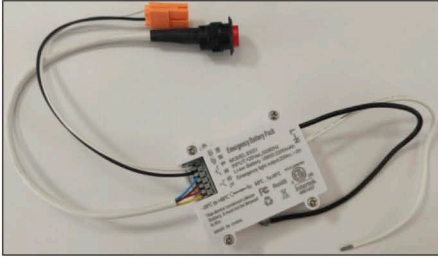
Retrofit applications:



MPLRs are designed for Retrofit applications, it can be directly mounted to most fixtures. By using the Adjustable magnetic screws and the GU24/E26 connectors. Since MPLRs are built with advance lens, even the sockets are around, it can project good light distribution. MPLRs are suitable for all types of fixtures for Retrofits.



BATTERY PACK SPECIFICATIONS



Model #: EK11

Input: AC 120V-240V, 50/60Hz

Battery: 4400 mAH, Lithium battery

Emergency Light output: 400 lm, > 4 hours

Size: 72 x 83 x 23mm

Max Ambient Temp : (-40F-110 oF) (-20°C-43°C)

Model #: EKO1

Input: AC 120V-240V, 50/60Hz

Battery: 2200 mAH, Lithium battery

Emergency Light output: 400 lm, > 2 hours

Size: 72 x 60 x 23mm

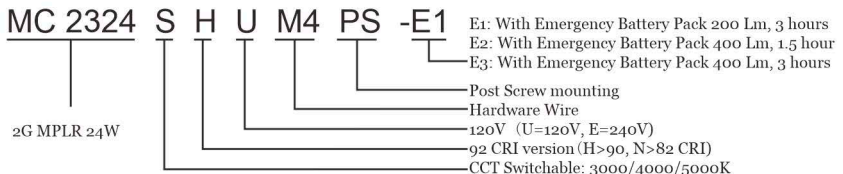
Max Ambient Temp : (-40F-110 oF) (-20°C-43°C)

3 years warranty for battery

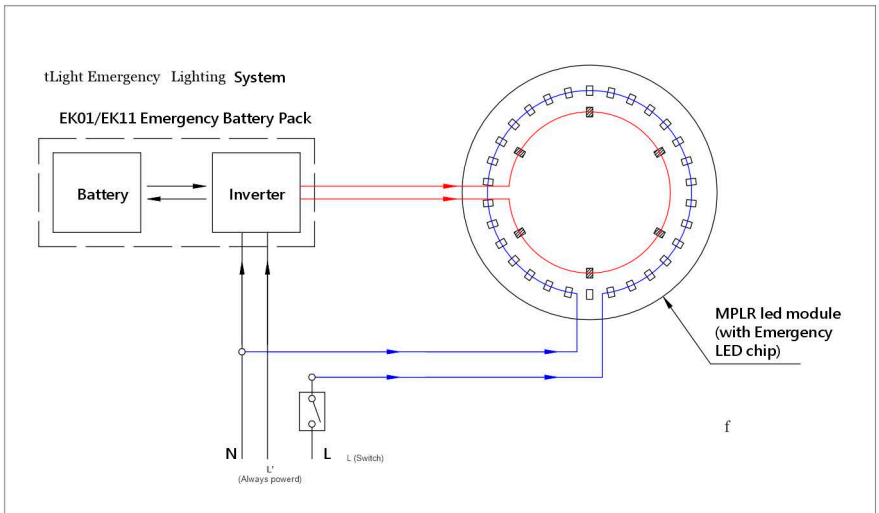
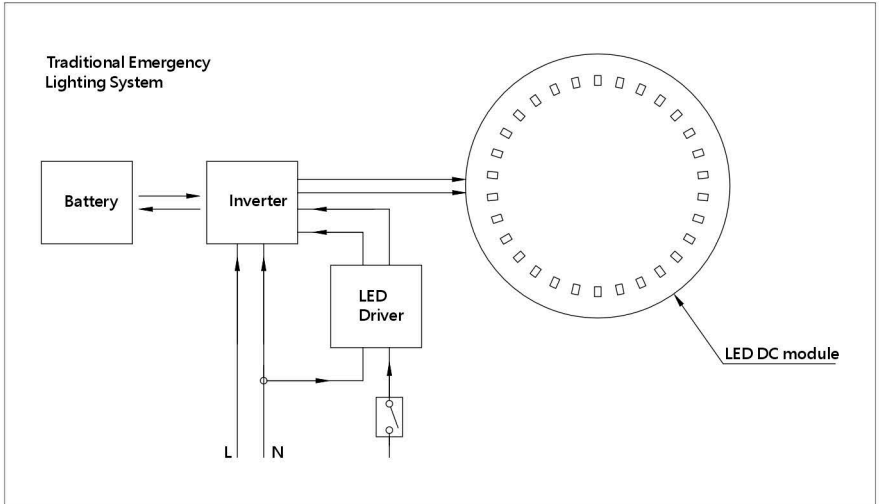
1: Wires & connectors are subjected to requirements

2: Emergency Light output are subjected to requirements.

Ordering Code Example:

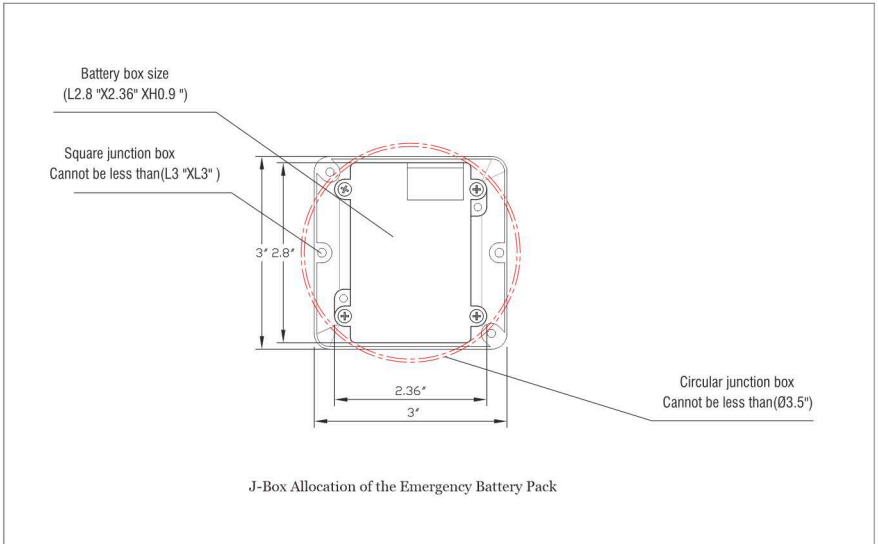
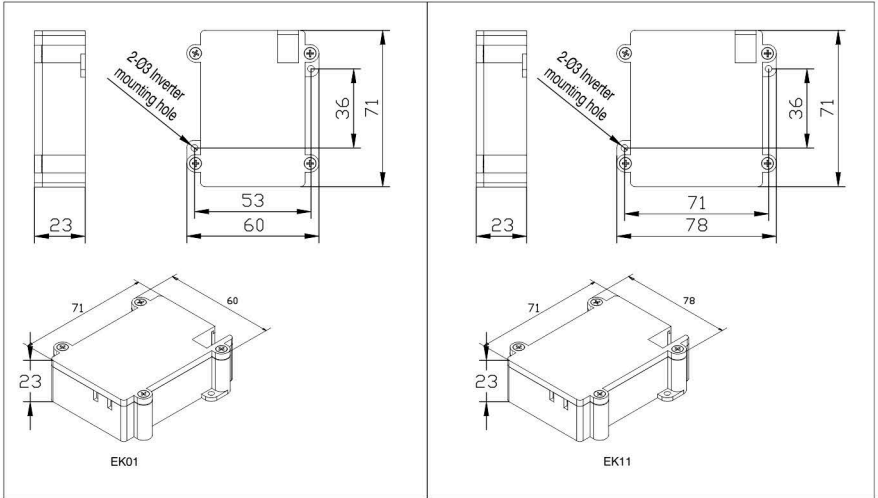


HOW DOES THE EMERGENCY MODULE WORK



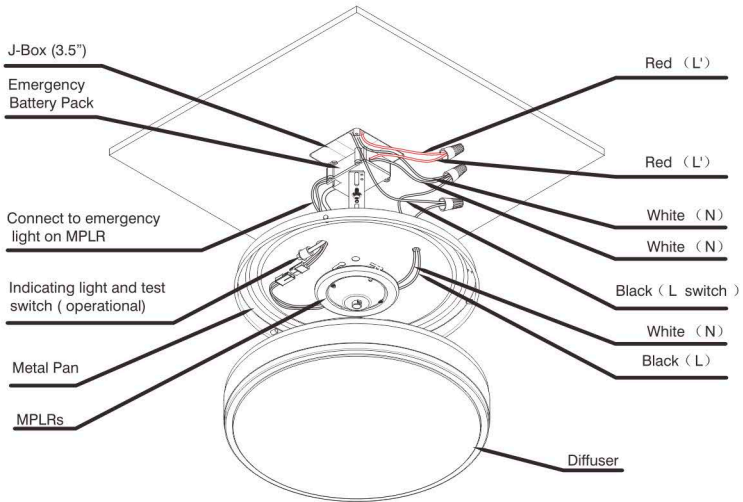
As per our advanced design, there is not needed to have inverter and convert the battery from 3.7V to 120V, so our efficiency for use the battery is at least 20% more than the traditional emergency lighting. This is why our Emergency Battery Pack is much more compact.

SIZES OF EMERGENCY BATTERY PACK

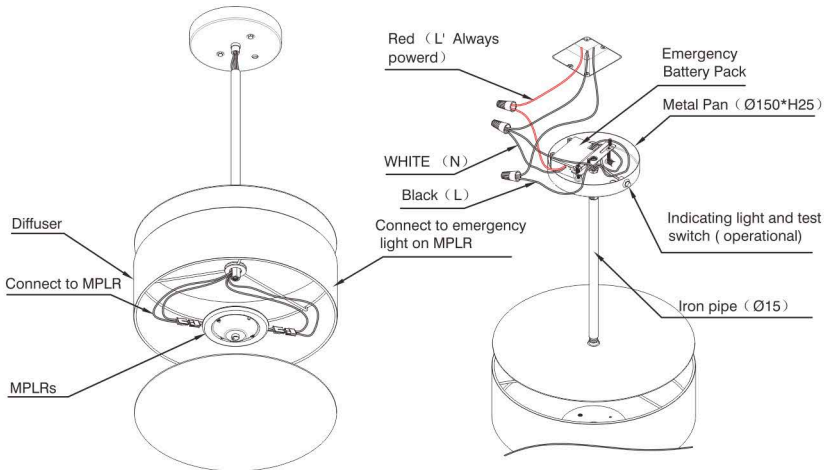


EMERGENCY BATTERY PACK APPLICATIONS

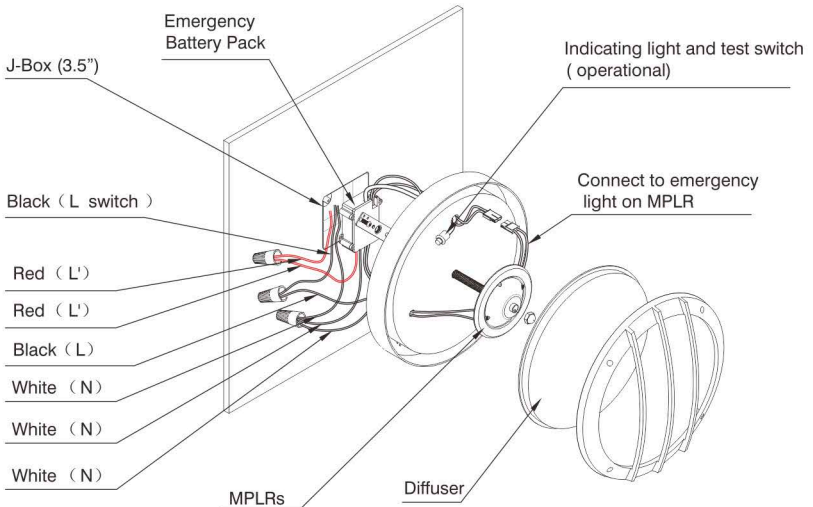
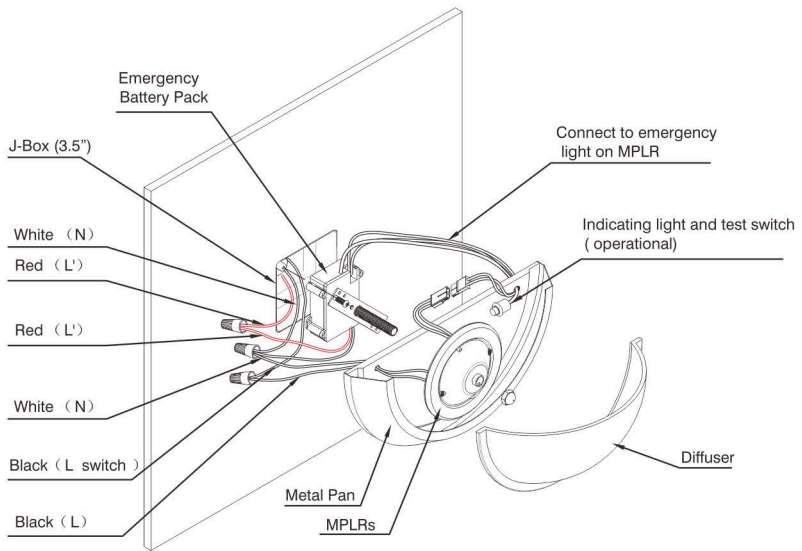
For Ceiling Lights



For Pendants



FOR WALL AND OUTDOOR FIXTURES



Multi Purpose LED Light Engine & Retrofit (MPLR) (2G MPLR (2nd Generation))

| | | | | | | | | | | |
|--|--|----------------------|----------------------|-----------------------|-----------------------|------------------------|------------------------|-----------------------|------------------------|-------------------------|
| | | | | | | | | | | |
| Model # | MC23083H MC23083N | MC23103H MC23103N | MC23123H MC23123H | MC23163H MC23163N# | MC23193H MC23193N# | MC23243H MC23243N | MC23303H MC23303N# | MC23363H MC23363N# | MC23423H MC23423N# | MC23503H MC23503N# |
| Input Watage(W) | 8 | 10 | 12 | 16 | 19 | 24 | 30 | 36 | 42 | 50 |
| Input Voltage Range (V) | 120 or 240 | | | | | | | | | |
| Delivered Lumens (lm) 92/82 CRI | 630 / 730 | 790 / 910 | 970 / 1120 | 1350 / 1475 | 1520 / 1690 | 2050 / 2280 | 2550 / 2880 | 3060 / 3450 | 3360 / 3820 | 3900 / 4500 |
| Efficacy (lm/W) | 79 / 91 | 79 / 91 | 80 / 93 | 84 / 92 | 80 / 89 | 85 / 95 | 85 / 96 | 85 / 96 | 80 / 91 | 78 / 90 |
| Color Rendering Index (CRI) | 92 / 82 | | | | | | | | | |
| Color Temperature (CCT) | 3000K, (optional 3000K/3500K/4000K/5000K) | | | | | | | | | |
| Equivalent Wattage (incand.) | 40W | 60W | 75W | 100W | 120W | 180W | 240W | 300W | 320W | 400W |
| Beam Angle | 120° | | | | | | | | | |
| Power Factor | 0.9 | | | | | | | | | |
| MAX THD (%) | 25 | | | | | | | | | |
| Ambient Temp (°F) | (-40F-110 oF) (-20°C-43°C) | | | | | | | | | |
| LM-79 | Yes | | | | | | | | | |
| LM-80 (8000 hours) | Yes | | | | | | | | | |
| Safety | ETL (UL1598C,UL8750)/CE | | | | | | | | | |
| Fixture Mounting: | Ceiling, Pendant, Wall Sconce, Ceiling Fan, Outdoor Lantern, Portable | | | | | | | | | |
| Application Environment | Dry and Damp Location | | | | | | | | | |
| Dimming compatible | Yes, SCR Dimming | | | | | | | | | |
| 0-10V Dimming | NO | | | | | | | | | |
| Compatible Dimmers | Leviton: IPI10, DVCL153P-WH, CT-600P-BL, MACL153M, CPL06-10Z, Lutron: 6674-P, VPM10-IL, 6672-L, 6681, CTCL-153PD, S-600P, CF1000P, CTELV-303P, LGCL-153PL, VPI-6-IL, PD-6WCL, VPM10, MACL153M Cooper: DLC03P, Legrand: 341107-01/15 # Contact us for the latest compatible availability of the dimmer | | | | | | | | | |
| Diameter | ø3.11"(79mm) | ø3.11"(79mm) | ø3.78"(96mm) | ø4.72"(120mm) | ø5.9"(150mm) | 7.09" (180mm*180mm) | 9.45" (240mm*240mm) | 11" (280mm*280mm) | 12.6" (320mm*320mm) | 13.78" (350mm*350mm) |
| Height | 1.1"(28mm) | | | 1.46"(37mm) | | | 1.5"(38mm) | | | |
| Weight(g) | 56 | 58 | 65 | 100 | 170 | 300 | 390 | 470 | 520 | |
| Life (Hours) | 50,000 | | | | | | | | | |
| Warranty (Years) | 5 years | | | | | | | | | |
| Energy Star® | Yes, V. 2.2 | | | | | | | | | |
| CEC V.3, Title 24, JA8 | Yes (JA8-2016-E) | | | | | | | | | |
| LED Lighting Facts® | Yes | | | | | | | | | |
| Colour Bos Size | 85*35*85 | 85*35*85 | 105*35*105 | 125*45*125 | 155*45*155 | 185*45*185 | 245*45*245 | 285*45*285 | 325*45*325 | 355*45*355 |
| Carton Size | 370*275*190 | 370*275*190 | 370*335*230 | 470*270*270 | 470*330*330 | 470*390*390 | 470*260*260 | 470*300*300 | 470*340*340 | 470*370*370 |
| PCS/CTN | 1/60 | 1/60 | 1/60 | 1/40 | 1/40 | 1/40 | 1/10 | 1/10 | 1/10 | 1/10 |

Multi Purpose LED Light Engine & Retrofit (MPLRs) (2G CCT switchable version)

| | | | | | | | |
|--|--|---|---|---|--|--|--|
| |  |  |  |  |  |  |  |
| Model # | MC2316SH MC2316SN | MC2319SH MC2319SN | MC2324SH MC2324SN | MC2330SH MC2330SN | MC2336SH MC2336SN | MC2342SH MC2342SN | MC2350SH MC2350SN |
| Input Watage(W) | 16 | 19 | 24 | 30 | 36 | 42 | 50 |
| Input Voltage Range (V) | | | | | | | |
| Delivered Lumens (lm) 92/82 CRI | 1350 / 1475 | 1520 / 1690 | 2000 / 2300 | 2550 / 2880 | 3060 / 3450 | 3360 / 3820 | 3900 / 4500 |
| Efficacy (lm/W) | 84 / 92 | 80 / 89 | 83 / 95 | 85 / 96 | 85 / 96 | 80 / 91 | 79 / 90 |
| Color Rendering Index (CRI) | | | | | | | |
| Color Temperature (CCT) | 3000/4000/5000 Switchable | | | | | | |
| Equivalent Wattage (incand.) | 100W | 120W | 180W | 240W | 300W | 320W | 400W |
| Beam Angle | 120° | | | | | | |
| Power Factor | 0.9 | | | | | | |
| MAX THD (%) | 25 | | | | | | |
| Ambient Temp (°F) | (-40F-110 oF) (-20°C-43°C) | | | | | | |
| LM-79 | Yes | | | | | | |
| LM-80 (8000 hours) | Yes | | | | | | |
| Safety | ETL (UL1598C,UL8750)/CE | | | | | | |
| Fixture Mounting: | Ceiling, Pendant, Wall Sconce, Ceiling Fan, Outdoor Lantern, Portable | | | | | | |
| Application Environment | Dry and Damp Location | | | | | | |
| Dimming compatible | Yes, SCR Dimming | | | | | | |
| 0-10V Dimming | NO | | | | | | |
| Compatible Dimmers | Leviton: IPI10, DVCL153P-WH, CT-600P-BL, MACL153M, CPL06-10Z, Lutron: 6674-P, VPM10-IL, 6672-L, 6681, CTCL-153PD, S-600P, CF1000P, CTELV-303P, LGCL-153PL, VPI-6-IL, PD-6WCL, VPM10, MACL153M Cooper: DLC03P, Legrand: 341107-01/15 # Contact us for the latest compatible availability of the dimmer | | | | | | |
| Diameter | ø4.72"(120mm) | ø5.9"(150mm) | 7.09"(180mm*180mm) | 9.45"(240mm*240mm) | 11"(280mm*280mm) | 12.6"(320mm*320mm) | 13.78"(350mm*350mm) |
| Height | 1.46"(37mm) | | | 1.5"(38mm) | | | |
| Weight(g) | 100 | 120 | 170 | 300 | 390 | 470 | 520 |
| Life (Hours) | 50,000 | | | | | | |
| Warranty (Years) | 5 years | | | | | | |
| Energy Star® | Yes, V. 2.2 | | | | | | |
| CEC V.3, Title 24, JA8 | Yes (JA8-2016-E) | | | | | | |
| LED Lighting Facts® | Yes | | | | | | |
| Colour Bos Size | 125*45*125 | 155*45*155 | 185*45*185 | 245*45*245 | 285*45*285 | 325*45*325 | 355*45*355 |
| Carton Size | 470*270*270 | 470*330*330 | 470*390*390 | 470*260*260 | 470*300*300 | 470*340*340 | 470*370*370 |
| PCS/CTN | 1/40 | 1/40 | 1/40 | 1/10 | 1/10 | 1/10 | 1/10 |

